






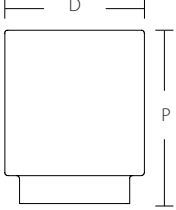







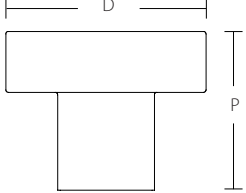







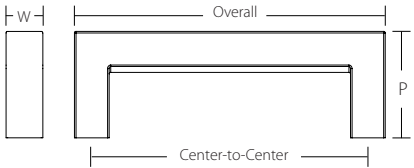









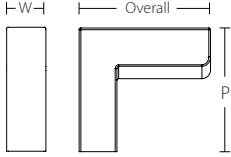
NEW! MODERN RECTANGULAR CABINET HARDWARE COLLECTION

ALLERTON KNOB	Product Code	Dimension(D)	Projection(P)	List Price	Finish
	86700	1"	1 1/8"	\$7.00	 Satin Brass (US4)  Oil Rubbed Bronze (US10B)  Polished Nickel (US14)  Satin Nickel (US15)  Flat Black (US19)  Polished Chrome (US26)
	86701	1 1/8"	1 1/4"	\$8.00	
					

HUNTER KNOB	Product Code	Dimension(D)	Projection(P)	List Price	Finish
	86702	1 1/4"	1 1/4"	\$8.00	 Satin Brass (US4)  Oil Rubbed Bronze (US10B)  Polished Nickel (US14)  Satin Nickel (US15)  Flat Black (US19)  Polished Chrome (US26)
	86703	1 5/8"	1 1/4"	\$14.00	
					





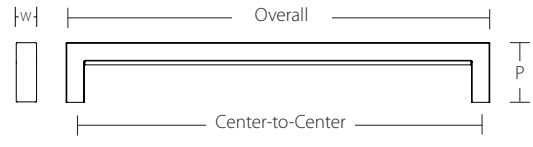
WARWICK PULL	Product Code	C-to-C	Overall	Width (W)	Projection(P)	List Price	Finish
	86704	3 1/2"	4"	1/2"	1 3/8"	\$12.00	 Satin Brass (US4)  Oil Rubbed Bronze (US10B)  Polished Nickel (US14)  Satin Nickel (US15)  Flat Black (US19)  Polished Chrome (US26)
	86705	4"	4 1/2"	1/2"	1 3/8"	\$13.00	
	86706	5"	5 1/2"	1/2"	1 3/8"	\$14.00	
	86707	6"	6 1/2"	1/2"	1 3/8"	\$15.00	
	86708	8"	8 1/2"	1/2"	1 3/8"	\$19.00	
	86709	10"	10 1/2"	1/2"	1 3/8"	\$26.00	
	86710	12"	12 1/2"	1/2"	1 3/8"	\$35.00	
	<p><i>Also available in Appliance Pulls, see Page 3.</i></p> 						





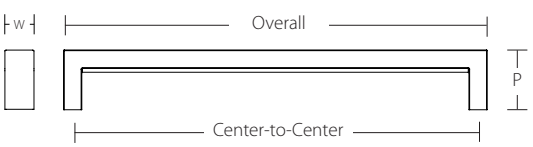
NEW! MODERN RECTANGULAR CABINET HARDWARE COLLECTION

KEATON FINGER PULL	Product Code	Overall	Width (W)	Projection(P)	List Price	Finish
	86713	1 1/2"	7/8"	1 1/2"	\$11.00	 Satin Brass (US4)  Oil Rubbed Bronze (US10B)  Polished Nickel (US14)  Satin Nickel (US15)  Flat Black (US19)  Polished Chrome (US26)
						

KEATON PULL	Product Code	C-to-C	Overall	Width (W)	Projection(P)	List Price	Finish
	86714	3 1/2"	4"	7/8"	1 1/2"	\$15.00	 Satin Brass (US4)  Oil Rubbed Bronze (US10B)  Polished Nickel (US14)  Satin Nickel (US15)  Flat Black (US19)  Polished Chrome (US26)
	86715	4"	4 1/2"	7/8"	1 1/2"	\$16.00	
86716	5"	5 1/2"	7/8"	1 1/2"	\$18.00		
86717	6"	6 1/2"	7/8"	1 1/2"	\$23.00		
86718	8"	8 1/2"	7/8"	1 1/2"	\$30.00		
86719	10"	10 1/2"	7/8"	1 1/2"	\$35.00		
86720	12"	12 1/2"	7/8"	1 1/2"	\$57.00		
<p><i>Also available in Appliance Pulls, see Page 3.</i></p> 							

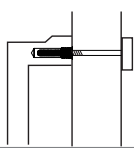
NEW! MODERN RECTANGULAR CABINET HARDWARE COLLECTION

WARWICK APPLIANCE PULL	Optional Mounting	Product Code	C-to-C	Overall	Width (W)	Projection(P)	List Price	Back To Back List Price	Finish
	CS or BTB	86711	12"	12 1/2"	1/2"	1 3/4"	\$134.00	\$268.00	 Satin Brass (US4)  Oil Rubbed Bronze (US10B)  Polished Nickel (US14)
	CS or BTB	86712	18"	18 1/2"	1/2"	1 3/4"	\$196.00	\$392.00	
									

KEATON APPLIANCE PULL	Optional Mounting	Product Code	C-to-C	Overall	Width (W)	Projection(P)	List Price	Back To Back List Price	Finish
	CS or BTB	86721	12"	12 1/2"	1"	1 3/4"	\$138.00	\$276.00	 Satin Brass (US4)  Oil Rubbed Bronze (US10B)  Polished Nickel (US14)
	CS or BTB	86722	18"	18 1/2"	1"	1 3/4"	\$205.00	\$410.00	
									

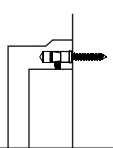
Standard Mounting

Thru-Bolt with Decorative Caps

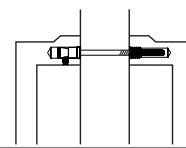


Optional Mounting

Concealed Surface CS



Back to Back BTB



How To Order:

CS or BTB 86721 US15
 Concealed Surface or Back to Back Optional Mounting. Leave Blank for Standard Mounting. Finish Product Code