

## BD4000 Privacy Lock for Sliding Barn Door



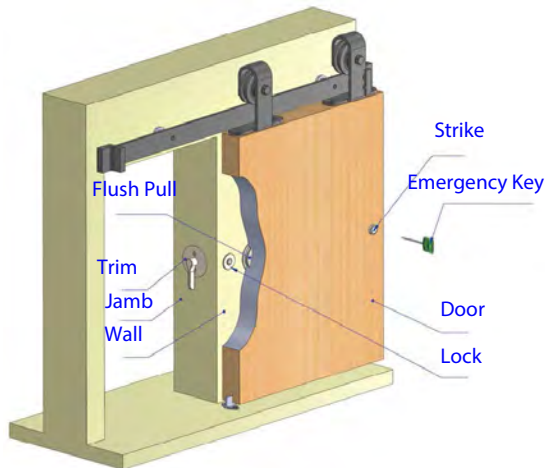
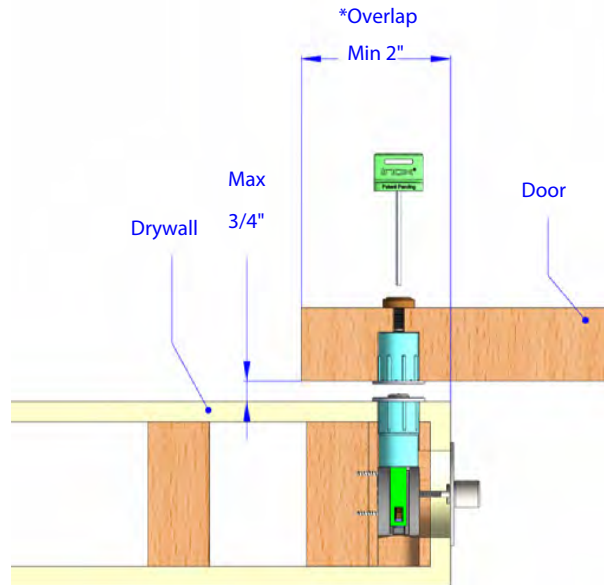
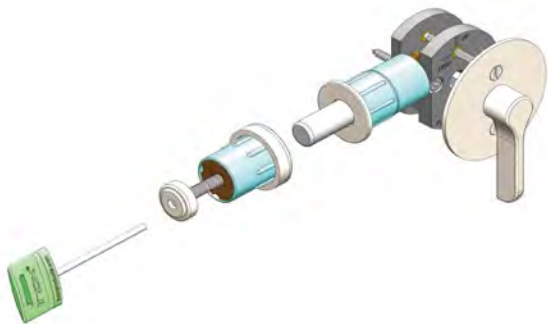
### Application

- A simple and elegant privacy lock for barn door openings for either residential or commercial applications, without having to build out extra frames
- Tubular drive-in bolt installed inside the jamb
- Dust-proof strike installed in the door on trailing side
- Discrete release button with decorative cap installed on outside of the door for emergency release
- A variety of trim escutcheons with t-turn installed on jamb side allow locking and unlocking of the bolt from inside
- ADA t-turn available for commercial and hospitality applications
- Two backsets available

### Overlap

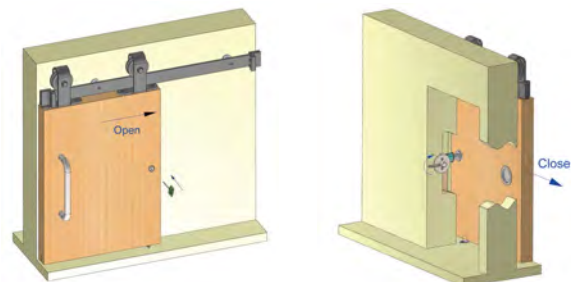
\*Door Overlap is the distance from the edge of the door to the edge of the wall. Measure the Door Overlap on the lock side when the door is fully closed.

NOTE: Standard door opening walls have 2 wood studs behind drywall or trim casing.



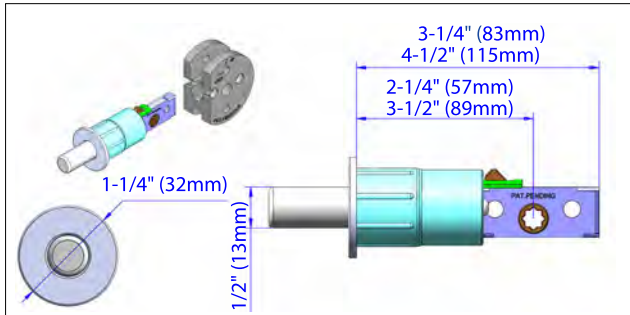
### Installation

- Available on leading and trailing side of the Barn Door



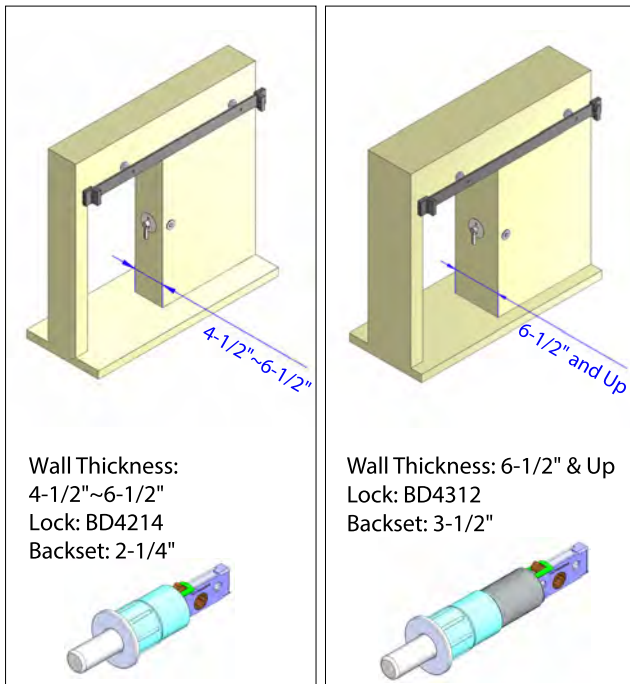
## BD4000 Privacy Lock for Sliding Barn Door

### Lock



- BD4000 Lock Bolt is mortised into the jamb stud
- Backset available in 2-1/4" (57mm) and 3-1/2" (89mm)
- Drive in Bolt Casing diameter: 1" (25mm)
- Lock bolt: 1/2" (13mm) dia. Stainless Steel.
- Strike mounted in barn door for standard door thickness: 3/8" (35mm) to 1-3/4" (45mm)  
Thick Door Kits Available
- Handing: Non-Handed
- Spindle Hub: 5x5mm square

### Wall Thickness



Wall Thickness:  
4-1/2"~6-1/2"  
Lock: BD4214  
Backset: 2-1/4"

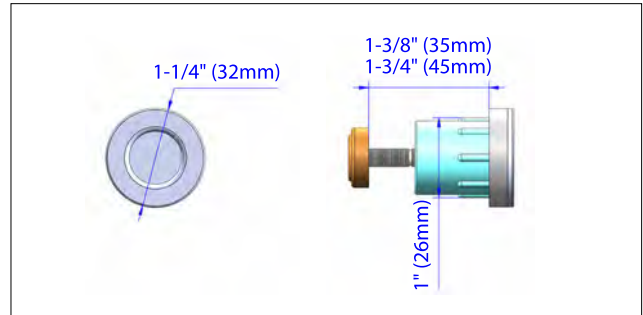
Wall Thickness: 6-1/2" & Up  
Lock: BD4312  
Backset: 3-1/2"

### Finishes

Satin Stainless (US32D)  
Bright Stainless (US32)  
Oil Rubbed Bronze (US10B)  
Satin Bronze (US4)

Ceramic Graphite Black (C19G)  
Ceramic Flat Black (C19)  
Ceramic White (CWH)

### Adjustable Dust Proof Strike



- 1-1/4"(32mm) diameter spring-loaded dust proof strike provides ample space to receive 1/2"(13mm) bolt and allows easy locking by end user



- Minimum aesthetic impact on door surface.

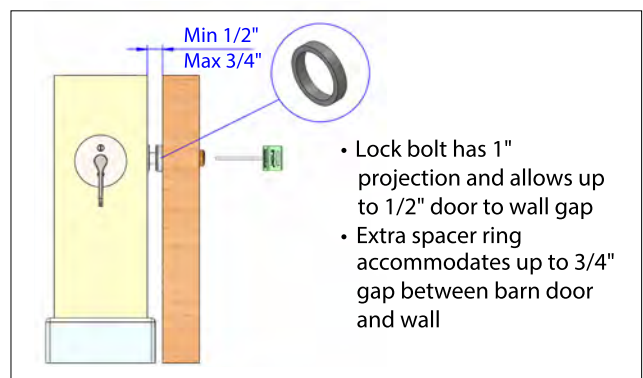


- Strike can be adjusted to fit barn door thickness from 1-3/8" (35mm) to 1-3/4" (45mm).
- Thick door kits available on request.



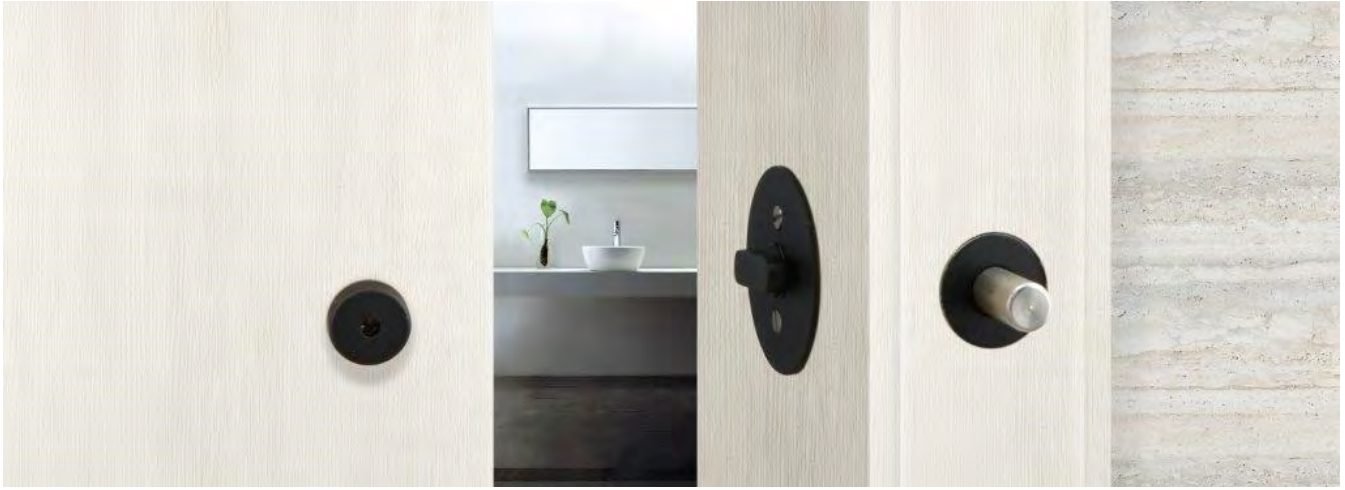
- 1/8" (3mm) diameter release button allow bolt to be unlocked from outside under emergency situation.

### Spacer Ring

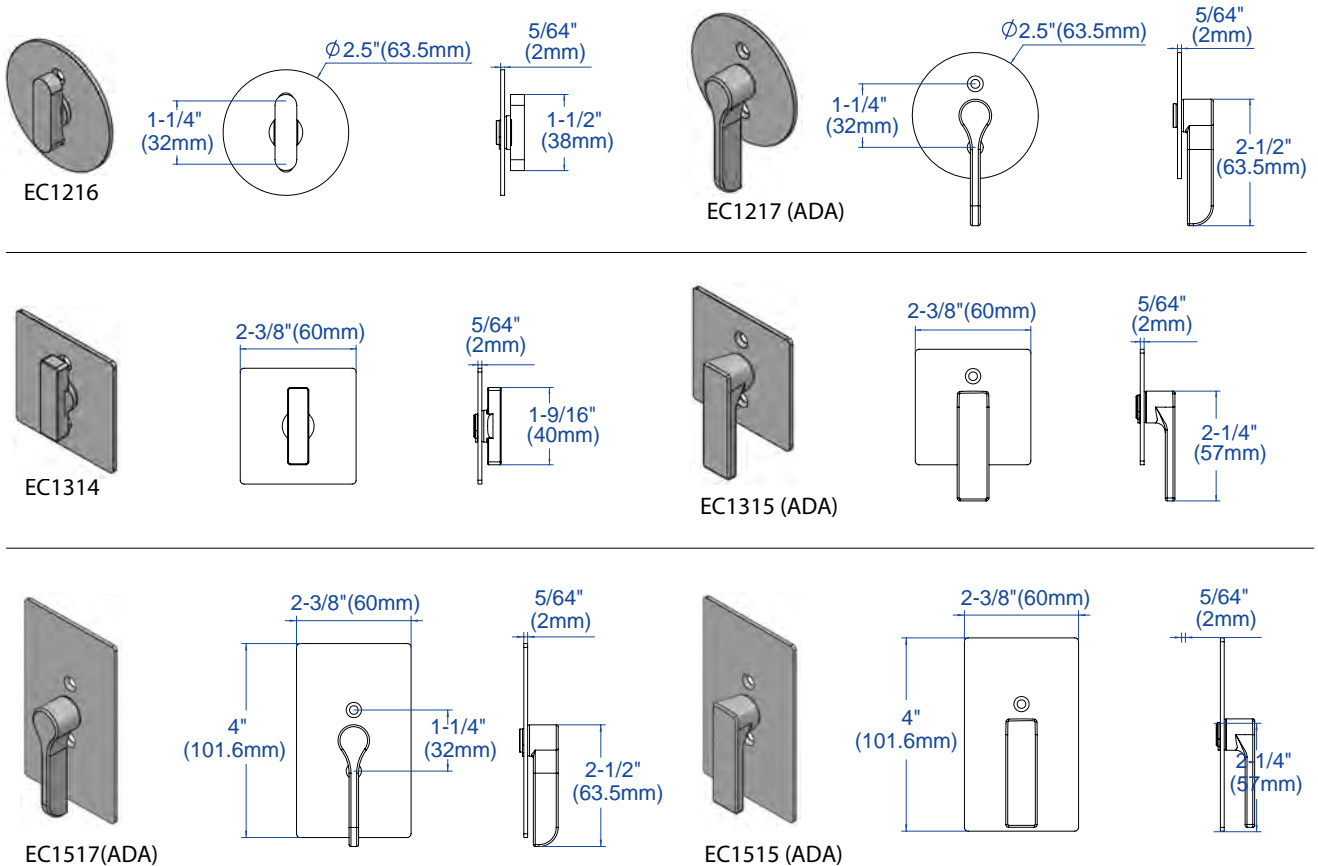


- Lock bolt has 1" projection and allows up to 1/2" door to wall gap
- Extra spacer ring accommodates up to 3/4" gap between barn door and wall

## BD4000 Privacy Lock for Sliding Barn Door



### Escutcheons & Thumb-turns

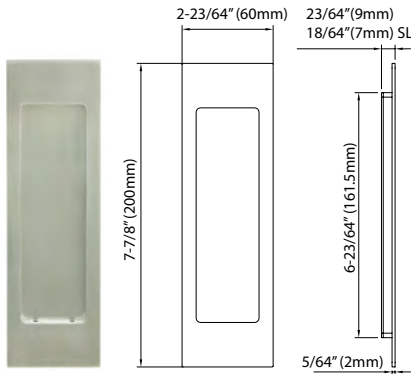


Spindle and screws included with trim:

- Spindle: 5x5x62mm (2-3/8")
- Screw: m4x50mm (2")

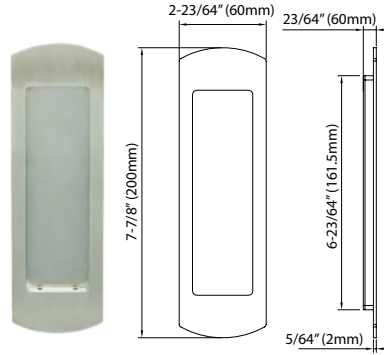
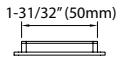
# BD4000 Privacy Lock for Sliding Barn Door

## Flush Pull Options for Barn Door



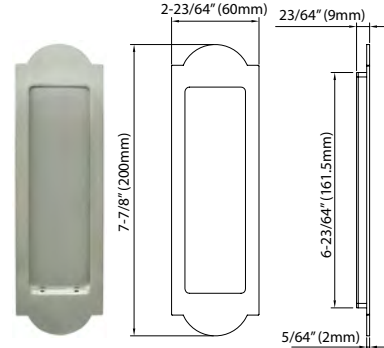
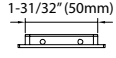
**FH2700**

Flush Pull Only



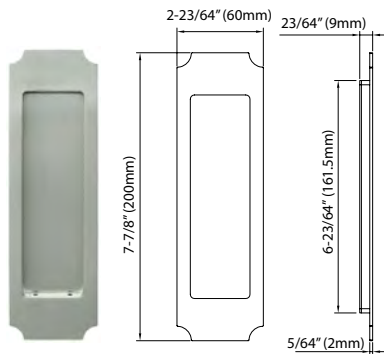
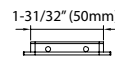
**FH2900**

Flush Pull Only



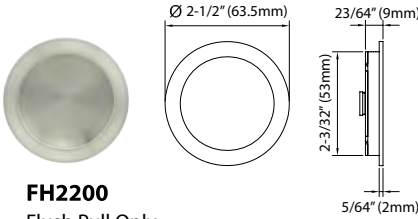
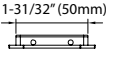
**FH3100**

Flush Pull Only



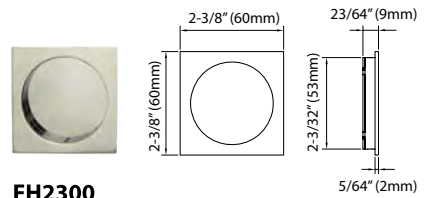
**FH3200**

Flush Pull Only



**FH2200**

Flush Pull Only

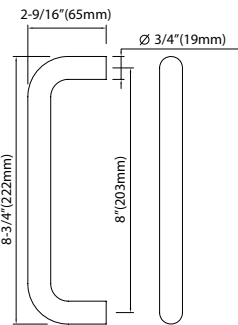


**FH2300**

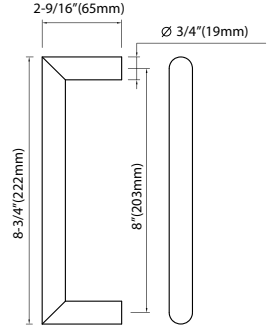
Flush Pull Only

## ADA Surface Pull Options

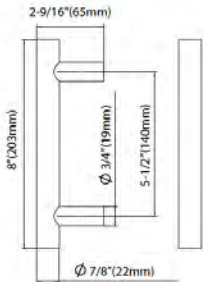
**PHIX31108**



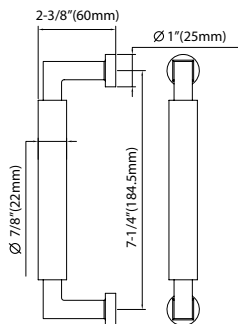
**PHIX30108**



**PHIX330.512.8**



**PHIX41714**



**PHIX45714**

