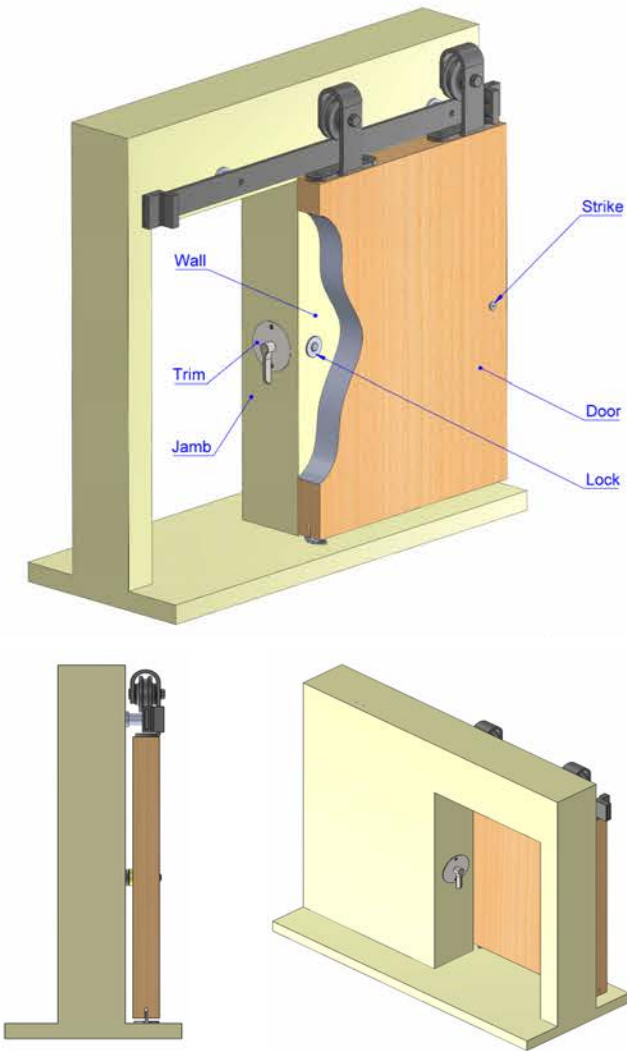


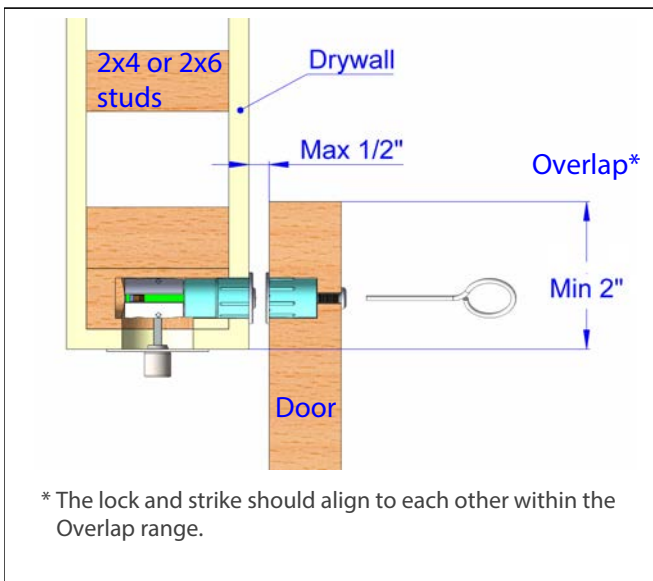
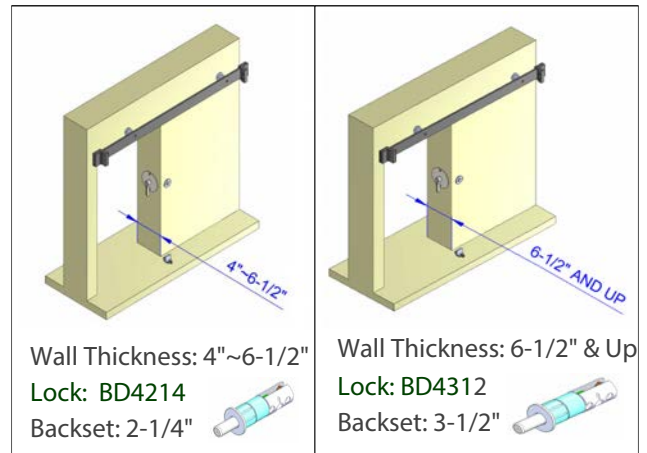
BD4000 Privacy Lock for Sliding Barn Door

Patent Pending

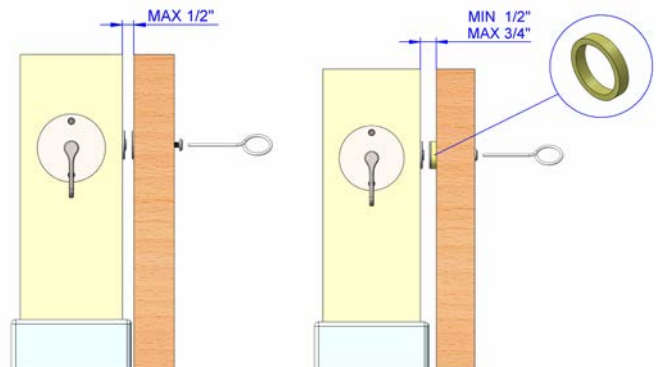


Application

- A simple and elegant privacy lock for barn door openings in either commercial or residential applications. No frame or soffit build out required
- Tubular drive-in bolt installed inside the jamb
- Dust proof strike installed on the back side of the barn door
- Emergency release feature installed on the outside of the door
- A variety of T-Turn trims available for jamb side installation, allowing for locking and unlocking of the bolt from the privacy side
- ADA T-Turn available for commercial applications
- 2 Lock sizes/backsets available: BD4214 & BD4312



Features

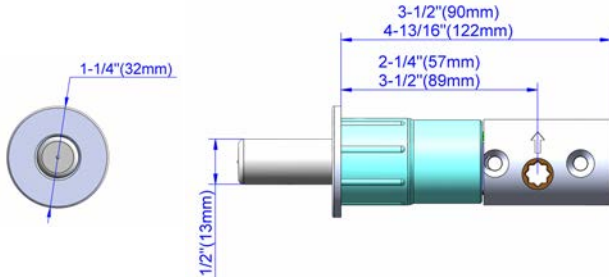


- Lock bolt has 1" projection allowing up to 1/2" door to wall gap.
- Extra spacer ring accommodates up to 3/4" gap between barn door and wall.

BD4000 Privacy Lock for Sliding Barn Door

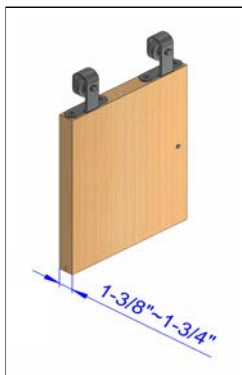
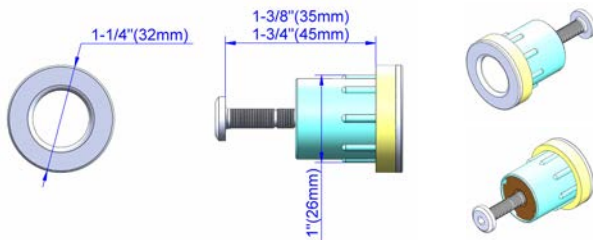
Patent Pending

Lock



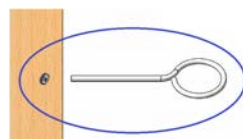
- BD4000 Lock Bolt is mortised into the jamb stud
- Lock Backset
BD4214 2-1/4" (57mm)
BD4312 3-1/2" (89mm)
- Drive in bolt casing diameter: 1" (25mm)
- Lock bolt: 1/2" (13mm) diameter, stainless Steel material.
- Strike mounted in barn door for standard door
 Thickness: 3/8" (35mm) to 1-3/4" (40mm)
 ThickDoor Kits Available
- Handing: Non-Handed
- Spindle Hub: 5x5mm square

Adjustable Dust Proof Strike



- 1-1/4" diameter spring-loaded dust proof strike provides ample space to receive 1/2" bolt, allows easy locking from privacy side
- Strike can be adjusted to fit barn door thickness from 1-3/8" to 1-3/4"
- Thick Door Kits available

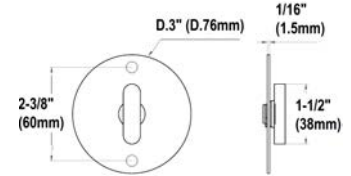
- 1/4" diameter emergency release feature allows bolt to be unlocked from outside under emergency situation
- Minimum aesthetic impact on door surface



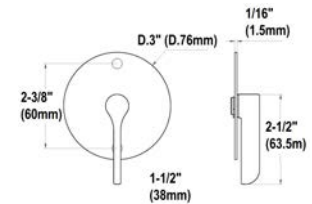
Escutcheon & Thumb-turns



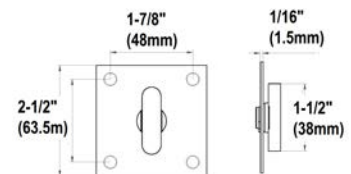
EC1216



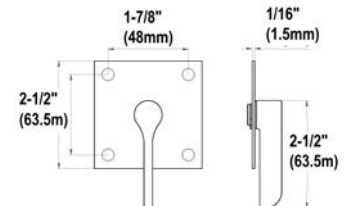
EC1217 (ADA)



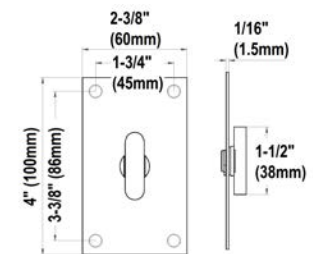
EC1316



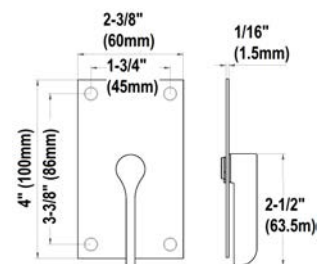
EC1317 (ADA)



EC1516



EC1517 (ADA)



Finishes

- | | |
|-------------------------|-------------------------------|
| Satin Stainless (US32D) | Ceramic Graphite Black (C19G) |
| Bright Stainless (US32) | Ceramic Flat Black (C19) |
| Oil Rubbed Bronze (10B) | Ceramic White (CWH) |
| Black (19) | Ceramic Grey (CGY) |